

CO-9X Datasheet for Trade

7 Year Life CO Alarm

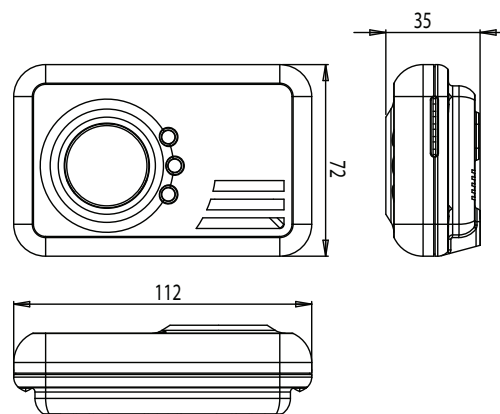
A.K.A. 7 Year Life Carbon Monoxide Poisonous Gas Alarm

GN0420/R1

Product Image



Product Dimensions (mm)



Model Number	CO-9X
Retail Description	N/A
Retail EAN Number	N/A
Retail Packaging Format	N/A
Retail Packaging Dimensions WxHxD	N/A
Retail Packaging Weight	N/A
Retail SRP Quantity	N/A
Trade Description	7 year life carbon monoxide alarm
Unique ID code	99210020
Trade EAN Number	N/A
Trade Packaging Format	Recycled cardboard box
Trade Packaging Dimensions WxHxD	135mm x 45mm x 92mm
Trade Packaging Weight	130g
Trade Outer Box Quantity	20
Warranty	7 years
Technology	Sensor: Electrochemical cell
Operation AC/DC	DC
Battery Type	Non-removable integrated lithium power pack - 7 year life in normal operating conditions

Product Weight	90g
Alert Type	Loud 85dB Alarm at 1 metre + red flashing LED
Operating Temperature	-10°C to 40°C
Operating Humidity	30% to 90% RH non-condensing
Installation Positions	Wall / Ceiling / Shelf
Approvals	Independently tested to conform to BS EN 50291:2001
Additional Testing	N/A

Health & Safety Information

Storage Temperature	-20°C to 60°C
Storage Humidity	30% to 90% RH non-condensing



Independently tested to conform to BS EN 50291:2001



FireAngel[®]

FireAngel Ltd.
The Technocentre, Puma Way
Coventry CV1 2TT UK

Tel +44 (0)24 7623 6600
Fax +44 (0)24 7623 6603
Web www.fireangel.co.uk